

● Part Number Guide

T-V-FF.FFFM-FS -OT -P-TR-S

T(Type 型号): V=5×7mm SMD VCXO

V(Input Voltage 输入电压):3.3=3.3V 5=5.0V,etc

F(Frequency 标称频率)

FS(Frequency Stability 频率稳定性): 50=±50ppm, etc

OT(Operating Temperature 工作温度):0070=0℃ to +70℃ 3080=-30℃ to +80℃, etc

P(Pull ability):100=100ppm, etc

TR(Tape and Reel 编带)

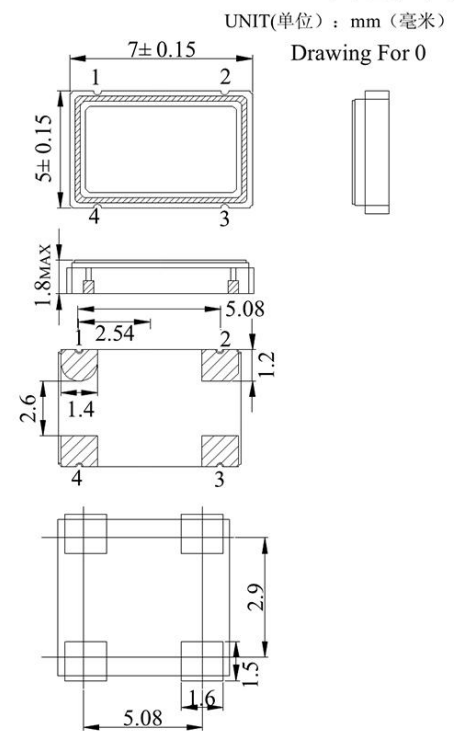
S(Special Requirement 特殊要求)



● Electrical Specifications 电气参数

型号	Holder Type	5×7mm SMD VCXO
频率范围	Frequency Range (F)	1.750MHz to 50.000MHz
总频差	Frequency Stability (ΔF/F)	±25ppm to ±50ppm
输入电压	Input Voltage (Vdd)	5.0V or 3.3V ±10%
控制电压	Control Voltage (Vc)	1.65V±1.5 or 2.5V ±2.25
输入电流	Input Current (Ldd)	35 Max
工作温度范围	Operating Temperature Range	-10℃~+60℃ to -40℃~+85℃
储存温度范围	Storage Temperature Range	-40℃~+85℃/-55℃~+125℃
上升/下降时间	Rise/Fall Time (Tr/Tf)	6 max
占空比	Duty Cycle	40/60 Standard
线性	Linearity	10%Max
牵引量	Pull ability	±50~±100

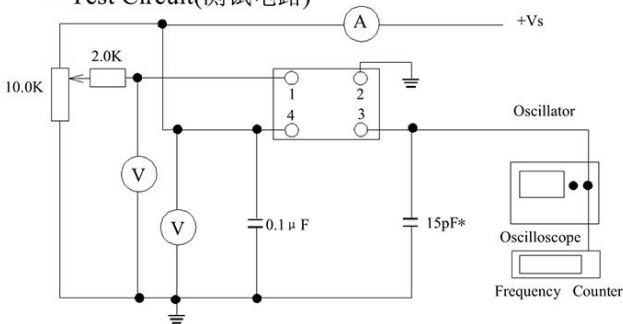
● Mechanical Dimensions 外型尺寸



suggested solder pad layout

PIN	FUNCTION
1	Voltage control
2	GND
3	Output
4	Vdd

● Test Circuit(测试电路)



● Reflow Condition 回流焊条件

