

● Part Number Guide

T-FF.FFFK-LC-FT-OT-ESR-TR-S

T(Type 型号): H=1.8×5 Tuning Fork(SMD)

F(Frequency 标称频率)

LC(Load Capacitance 负载电容):12.5=12.5pf 00=series, etc

FT(Frequency Tolerance 调整频差):20=±20ppm, etc

OT(Operating Temperature 工作温度):1060=-10℃ to +60℃ 4085=-40℃ to +85℃, etc

ESR(Equivalent Series Resistance 等效阻抗)

TR(Tape and Reel 编带)

S(Special Requirement 特殊要求)

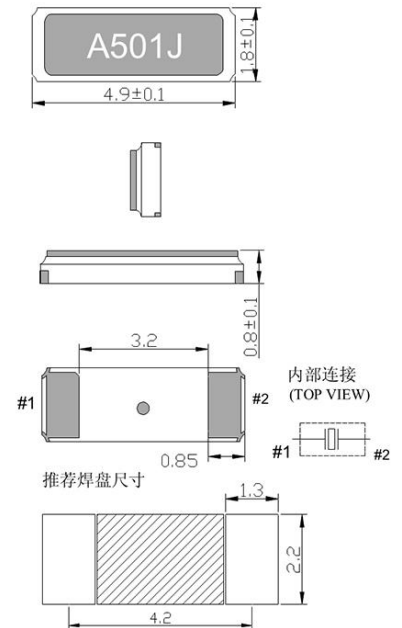


● Electrical Specifications 电气参数

型号	Holder Type	FC-255
频率范围	Frequency Range	32.000KHz to 100.00KHz
频率温度系数	Parabolic curvature constasnt	$-0.04 \times 10^{-6} / ^\circ\text{C}^2 \text{Max}$
频率公差	Frequency Tolerance (f_tol)	$\pm 20 \times 10^{-6}$
拐点温度	Inflection point temperature (Ti)	+25℃±5℃
工作温度范围	Operating Temperature Range	-40℃~+85℃
储存温度范围	Storage Temperature Range	-55℃~+125℃
老化	Aging (25℃)	$\pm 3 \times 10^{-6} / \text{Year Max}$
串联电容	Series Capacitance (C1)	2.3fF~0.6fF
分路电容	Shunt Capacitance (C0)	1.7pF~0.9pF
激励功率	Drive Level	0.5μWMax
串联电阻(ESR)	Series Resistance (R1)	70KΩ~30KΩ
负载电容	Load Capacitance (CL)	7 pF, 12.5 pF

● Mechanical Dimensions 外型尺寸

UNIT(单位):mm(毫米)



● Equivalent Series Resistance and Mode of Operation

等效阻抗和振荡模式

Frequency Range 频率范围	ESR (Ω) 等效阻抗	Mode 振荡模式
30.000-40.000 KHz	40 Max	Fundamental
40.000-60.000 KHz	30 Max	Fundamental
60.000-70.000 KHz	25 Max	Fundamental
70.000-100.00 MHz	22Max	Fundamental

● Reflow Condition 回流焊条件

