

## ●Part Number Guide

T-V-FF.FFFM-FTFD-OT-TR-S

T(Type 型号): TC=7050A TCXO

V(Supply Voltage 输入电压):3.3=3.3V 5=5.0V,etc

F(Frequency 标称频率):10,12.8,13,19.2,19.44,25.6,26

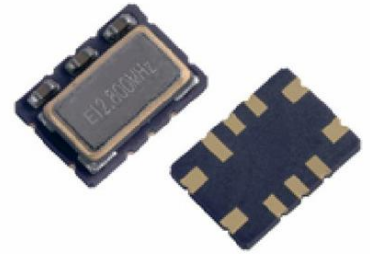
FT(Frequency Tolerance 调整频差):1.0=±1.0ppm, etc

FD(Frequency Drift 频率稳定性): 1.0=±1.0ppm, etc

OT(Operating Temperature 工作温度):A=-20°C to +70°C B=-40°C to +85°C, etc

TR(Tape and Reel 编带)

S(Special Requirement 特殊要求)

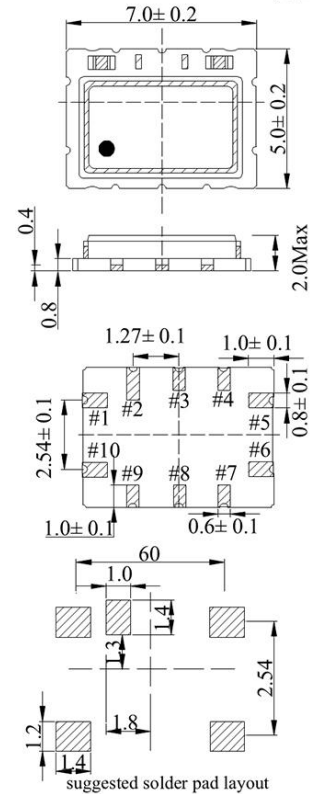


## ●Electrical Specifications 电气参数

型号	Holder Type	7.0×5.0mm SMD TCXO
频率范围	Frequency Range (F)	10.000MHz to 26.000MHz
总频差	Frequency Stability ( $\Delta F/F$ )	±15ppm to ±25ppm
输入电压	Input Voltage (Vdd)	+3.3V to +5.0V
工作温度范围	Operating Temperature Range	-10°C~+60°C to -40°C~+85°C
储存温度范围	Storage Temperature Range	-40°C~+85°C/-55°C~+125°C
负载	Load	(10k $\Omega$ / 10pF) ±10%
频率偏差	Frequency Tolerance	±1.0ppm Max
频率稳定度	Frequency Stability	±1.0ppm Max
	Vs. Supply Voltage	±0.1ppm Max (VCC ± -5%)
	Vs. Load	±0.2ppm Max (10k $\Omega$ / 10pF±10% each)
老化	Aging	±4.60ppm Max./Year
消耗电流	Current Consumption	6.0mA max
相位噪声	Phase Noise	
	100Hz offset typical	-120dBc/Hz Max
	1KHz offset typical	-140dBc/Hz Max
	10KHz offset typical	-145dBc/Hz Max

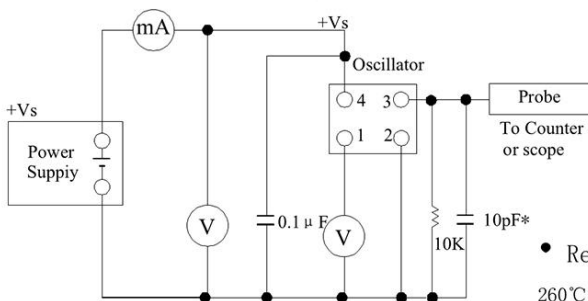
## • Mechanical Dimensions 外型尺寸

UNIT(单位): mm (毫米)



PIN	FUNCTION
1	悬空
2/3/4/7/8	悬空
5	接地
6	输出
9	三态端
10	电源

## • Test Circuit(测试电路)



## • Reflow Condition 回流焊条件

